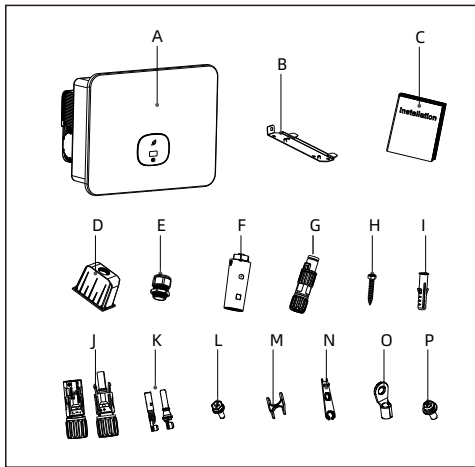


## 1. Overview



NO.	Description	Qty.
A	Inverter	1
B	Mounting Bracket	1
C	Quick Installation Guide	1
D	AC side waterproof cap	1
E	AC side waterproof cap connector	1
F	Datalogger (OPT)	1
G	COM port signal connector	1
H	Self-tapping screw	4
I	Plastic expansion tube	4
J	PV+/PV- connector (MID 30K-X2 5/5)	4/4

K	PV+/PV- metal contact (MID 30K-X2 5/5)	4/4
L	Security screw	1
M	Signal connector removal tool	1
N	DC connector removal tool	1
O	14-6 ring connector	6
P	M4*10 screw for securing the AC side waterproof cap	4

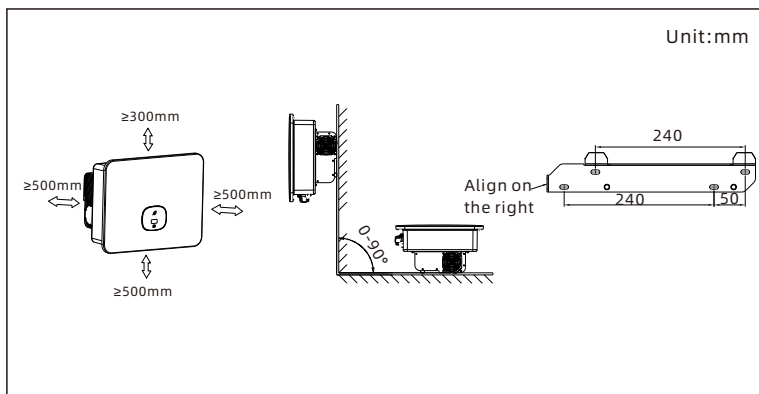
### ⚠️ Note:

Before installing the inverter, check that the contents are intact and complete according to the Packing List. If any damage is found or any component is missing, contact your dealer.

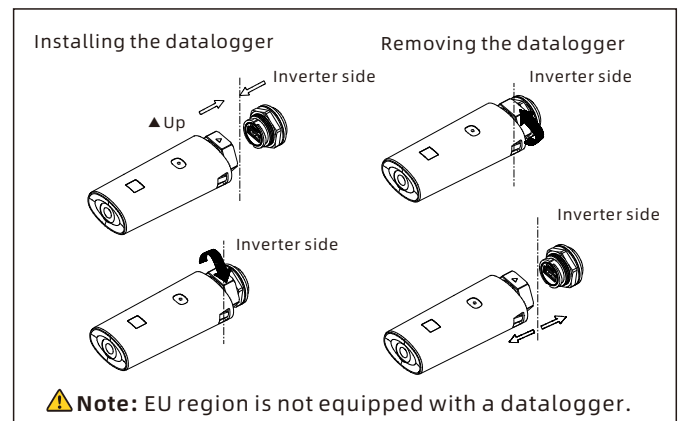
## 2. Installation

### 2.1 Installation Requirements

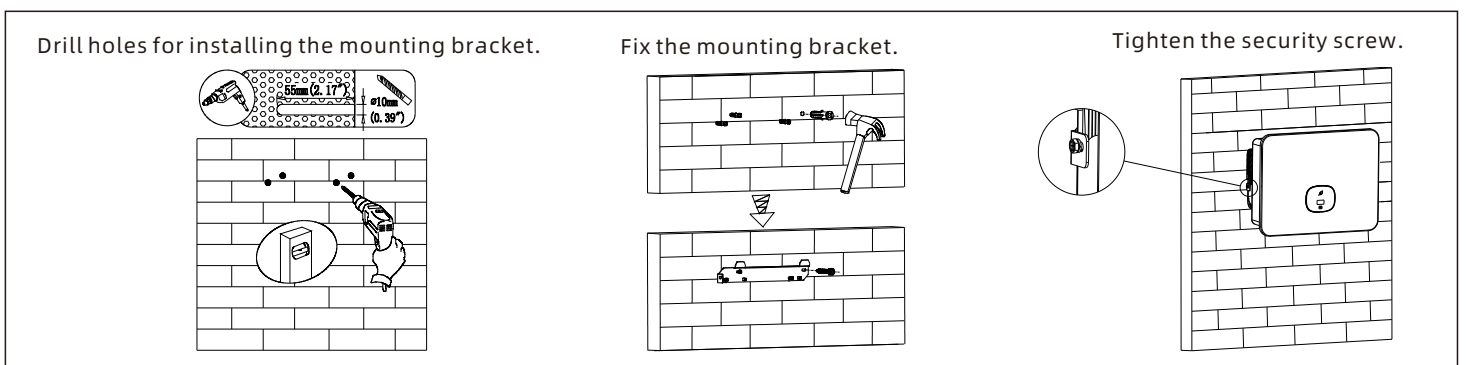
Angle Requirements, Space Requirements and Dimensions.



### 2.3 Installing and Removing the Datalogger

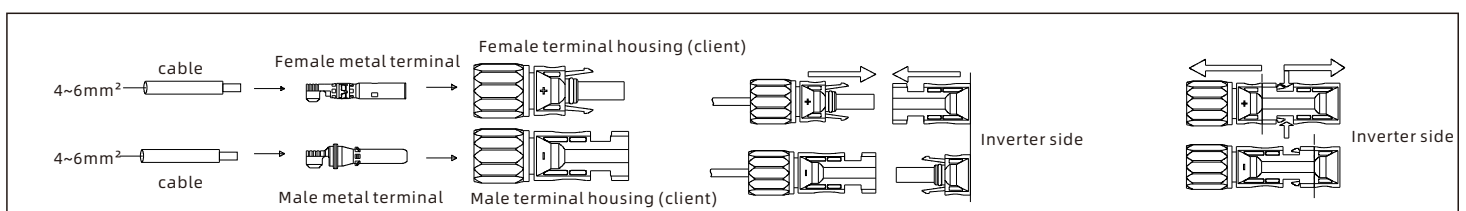


### 2.2 Wall-mounting Installation



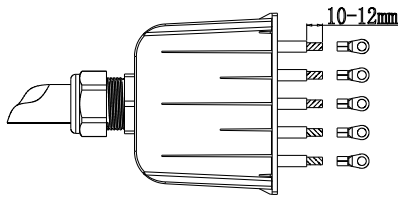
## 3. Cable Connections

### 3.1 Connecting the PV Input Power Cable

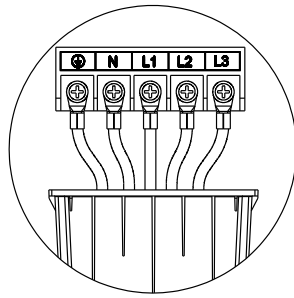


### 3.2 Connecting the AC Output Power Cable

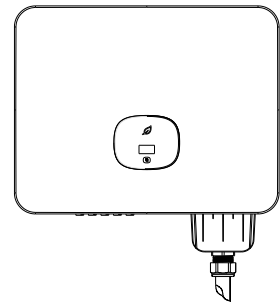
It is recommended that the cable with a conductor cross-sectional area of 10 to 16mm<sup>2</sup> be used.



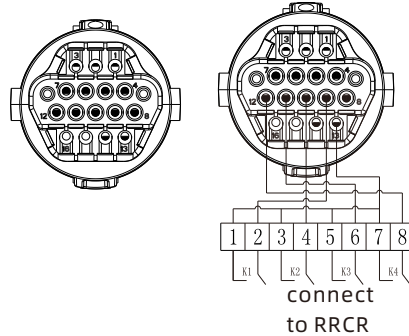
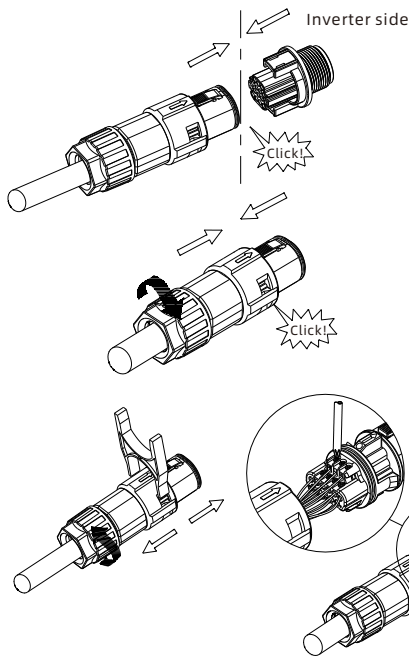
Connect the AC output power cable to the inverter.



Install the AC side waterproof cap.



### 3.3 Installing the Signal Cable



No.	RRCR Description	Active Power
9	K1-out	0%
10	K2-out	30%
11	K3-out	60%
12	K4-out	100%
13	Relays common	/
14	/	/

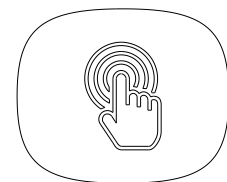
No.	Description	Remarks
1	+12V	Dry contact: external wiring power should not exceed 2W
2	COM	
3	RS485A1	RS485 communication port
4	RS485B1	
5	RS485A2	BAT communication port(reserved)
6	RS485B2	
7	RS485A3	Meter communication port
8	RS485B3	
9	DRM1/5	Relay contact 1 input
10	DRM2/6	Relay contact 2 input
11	DRM3/7	Relay contact 3 input
12	DRM4/8	Relay contact 4 input
13	REF/GEN	GND
14	DRM0/COM	/

**⚠ Note:**

When connecting the communication cable, do not connect to port 15 and port 16. For pin definitions, please refer to the table above according to customer's needs.

## 4. Touch Button Operation

Touch Button	Definition
Single tap	Switch the interface or add the value by one
Double tap	Set the parameter or confirm your setting
Triple tap	Return to the last page
Press and hold for 5s	Restore to the default values



## 5. Service and contact

**Shenzhen Growatt New Energy Co., Ltd.**

4-13/F, Building A, Sino-German (Europe) Industrial Park, Hangcheng Blvd, Bao'an District, Shenzhen, China

T +86 755 2747 1942

E service@ginverter.com

W www.ginverter.com



Download Manual



Growatt New Energy